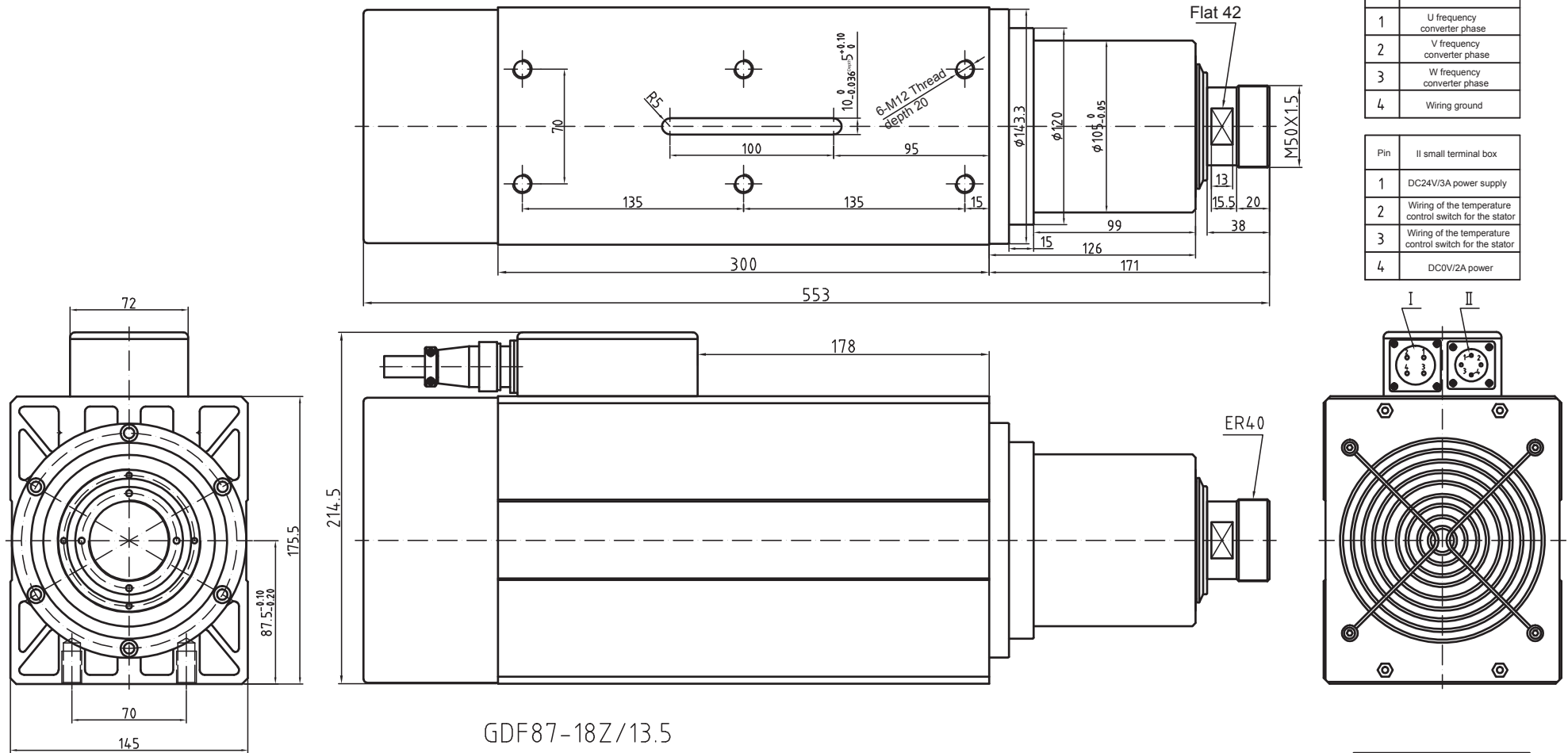


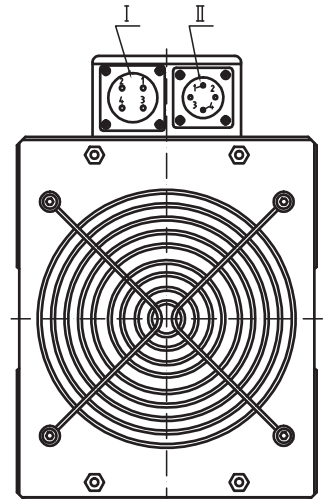
GDF87-18Z/13.5 Outline diagram



Wiring description

Pin	I big terminal box
1	U frequency converter phase
2	V frequency converter phase
3	W frequency converter phase
4	Wiring ground

Pin	II small terminal box
1	DC24V/3A power supply
2	Wiring of the temperature control switch for the stator
3	Wiring of the temperature control switch for the stator
4	DC0V/2A power



GDF87-18Z/13.5

Power	13.5kw	Weight	39Kg
Voltage	380V	Nut	DR40
Current	31.0A	Cooling	24V DC fan
Frequency	600Hz	Bearing	2×7010C 2×7007C P4/Grease lubrication
Rotating speed	18000r/min	Rotating direction	anticlockwise from the shaft extension end

Special attention: thread locking adhesive shall be applied or the spring washer shall be added to prevent the looseness during the installation of the fastening screw!

Parameters of the temperature control switch for the stator	
DC power supply	Maximum DC48V1.6A
AC power supply	Maximum AC250V/5A
Protective temperature	Maximum 100 C
Contact configuration	Normally closed